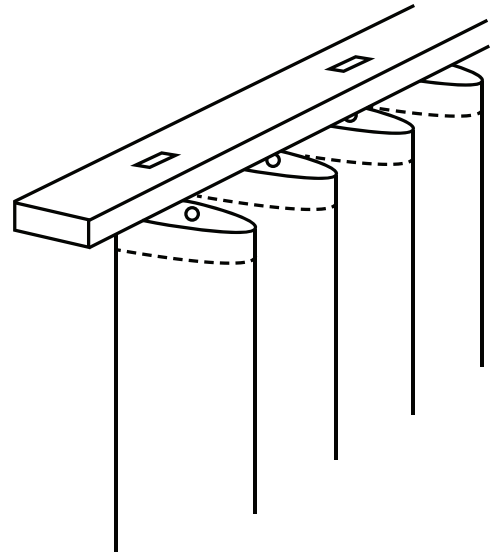
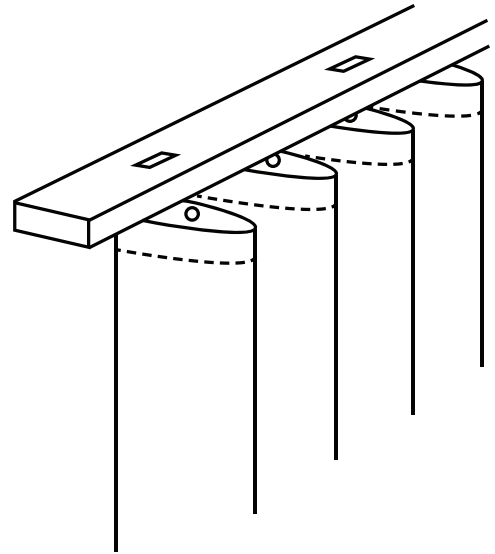


Ripplefold Window Coverings



Item Number	RIPP & HSP RIPP
Fabric Details	All Standard Textile fabrics meet commercial laundry standards
Size	Custom sizes made to order based on room measurements
Style	Pairs or right/left panels both available as operable or stationary
Specifications	
Mounts	Inside or outside, wall or ceiling
Operation	Baton, hand or cord draw, or stationary
Lining:	Unlined, deluxe, 2-pass blackout and 3-pass blackout
Heading	1" double fold with 7/8" snap tape (snaps spaced 4 1/4" apart)
Bottom Hems:	4" double fold, hanky hem (1/2" double fold) or Euro (recommended for sheers only)
Side Hems:	1 1/2" double fold
Fullness	Standard is 100%, also available in 60%, 80% and 120%
Widths:	If less than a full width of fabric is required to accomplish the specified fullness, no less than 1/2 widths are to be used and located on the return side of the drapery panel
Weights	Vinyl covered weights sewn into side hems and at each panel join or chain weights for entire width

Ripplefold Window Coverings



Item Number	RIPP & HSP RIPP
Additional Components	Banding available on vertical overlap, bottom hem, or overlap and bottom hem (available in 2-8" in full inch increments); can be inset (1-6") or flush
Warranty	All product is warranted for a period of 1 year
Laundry Instructions	Please refer to the care label sewn on the return edge of the drape
Fire Retardancy	Fabric must pass NFPA 701 and must pass Cal 19 is being sold into CA Certificates available upon request Additional certifications may be required if selling outside the U.S., inquire for more information